

Application area

- The die consoles are used in pairs on the press bed.
- It is possible to use one pair of die change consoles for die change on several presses if these presses are provided with fixing hooks.



Mode of operation

- The consoles are supported against the press bed or by means of support legs.
- Fixing of the consoles is made by hooks.
- The die is loaded onto the consoles outside the press by a forklift or a crane and then pushed onto the press bed.

Description

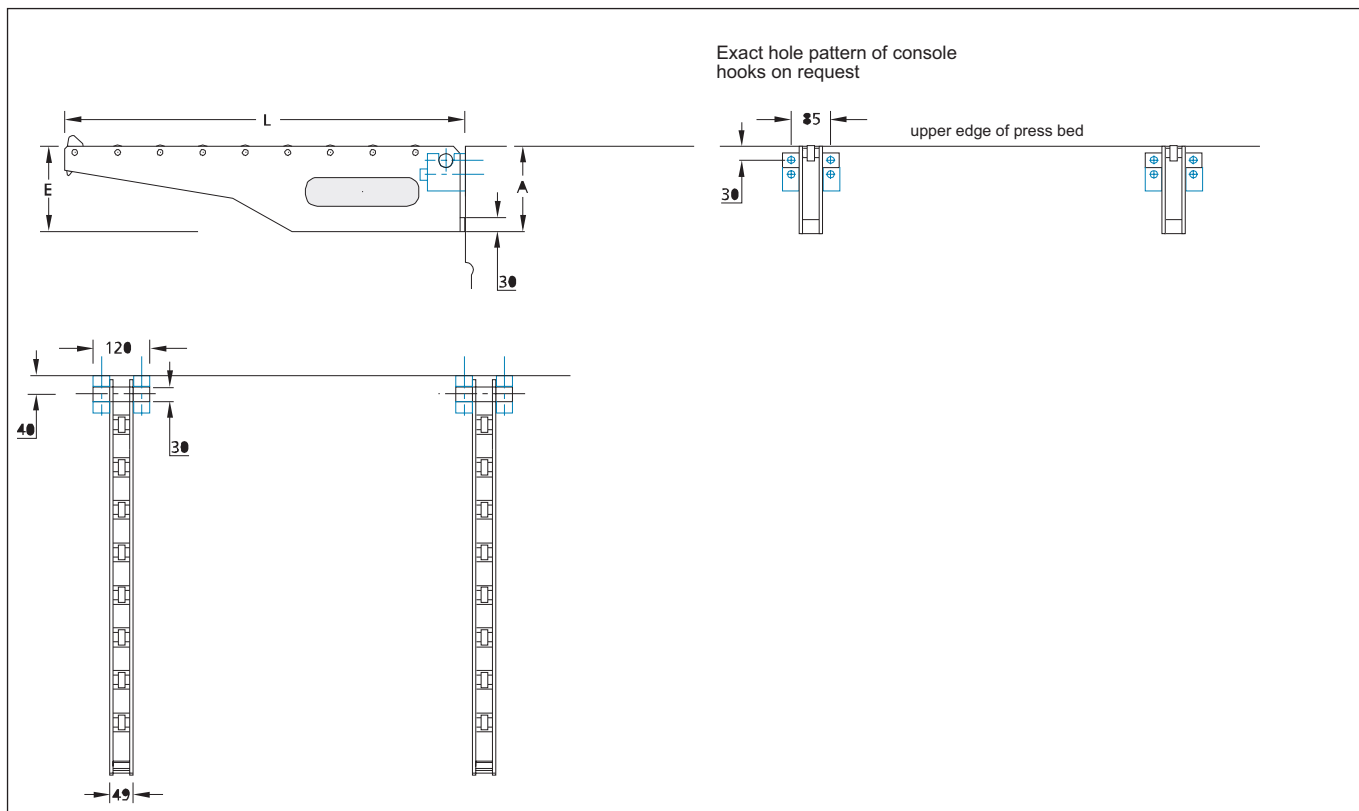
The consoles can be removed to clear the working area in front of the press. The consoles with support legs (type KAS) are adjustable in height within a range of +/- 15 mm. The standard design is provided with a fixed end stop to prevent the die from falling (tilting end stops available on request.)

Advantages

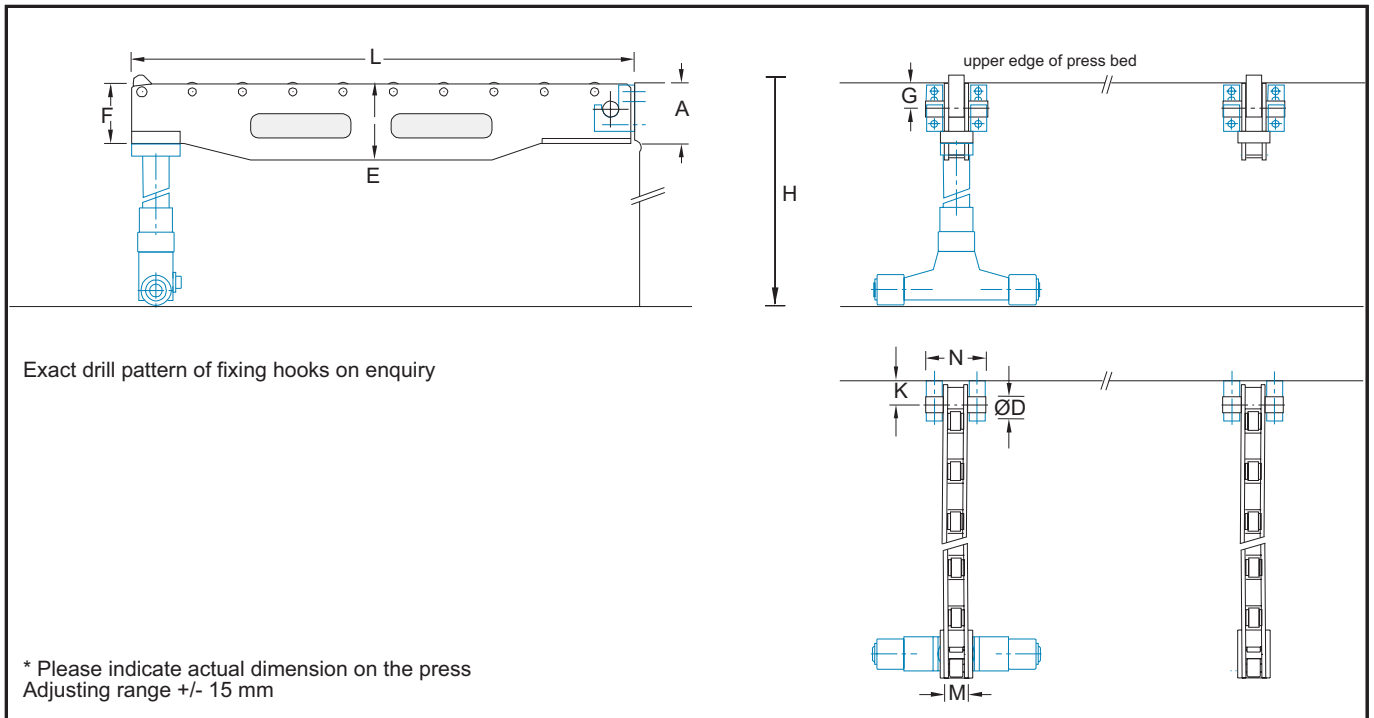
- fixed end stops prevent dies from falling
- universally applicable due to screwable hooks

Overview of available models: Removable consoles type KA/KAS

Load capacity Pair Consoles Length	5 kN	10 kN	20 kN	30 kN	40 kN	60 kN	100 kN
500 mm	KA 05-500	KA10-500	KA20-500	KA30-500			
800 mm	KA05-800	KA10-800	KA20-800	KA30-800			
1000 mm	KA05-1000	KA10-1000	KA20-1000 KAS20-1000	KA30-1000	KAS40-1000		
1250 mm			KAS20-1250		KAS40-1250	KAS60-1250	KAS100-1250
1600 mm			KAS20-1600		KAS40-1600	KAS60-1600	KAS100-1600
2000 mm						KAS60-2000	KAS100-2000



Type	A	L	E
KA 05-500	120	500	120
KA 05-800	120	800	120
KA 05-1000	150	1000	150
KA 10-500	150	500	150
KA 10-800	175	800	175
KA 10-1000	250	1000	250
KA 20-500	175	500	175
KA 20-800	250	800	250
KA 20-1000	300	1000	300
KA 30-500	250	500	250
KA 05-800	375	800	375
KA 30-1000	450	1000	450



Type	A	L	E	F	G	ØD	H *	K	M	N
KAS 20-1000	110	1000	150	130	30	30		40	49	120
KAS 20-1250	110	1250	180	130	30	30		40	49	120
KAS 20-1600	110	1600	205	130	30	30		40	49	120
KAS 40-1000	110	1600	180	130	30	30		40	49	120
KAS 40-1250	110	1250	205	130	30	30		40	49	120
KAS 40-1600	110	1600	225	130	30	30		40	49	120
KAS 60-1250	150	1250	190	150	65	40		60	60	155
KAS 60-1600	150	1600	225	150	65	40		60	60	155
KAS 60-2000	150	2000	250	150	65	40		60	60	155
KAS 100-1250	150	1250	250	150	65	40		60	60	155
KAS 100-1600	150	1600	280	150	65	40		60	60	155
KAS 100-2000	150	2000	320	150	65	40		60	60	155